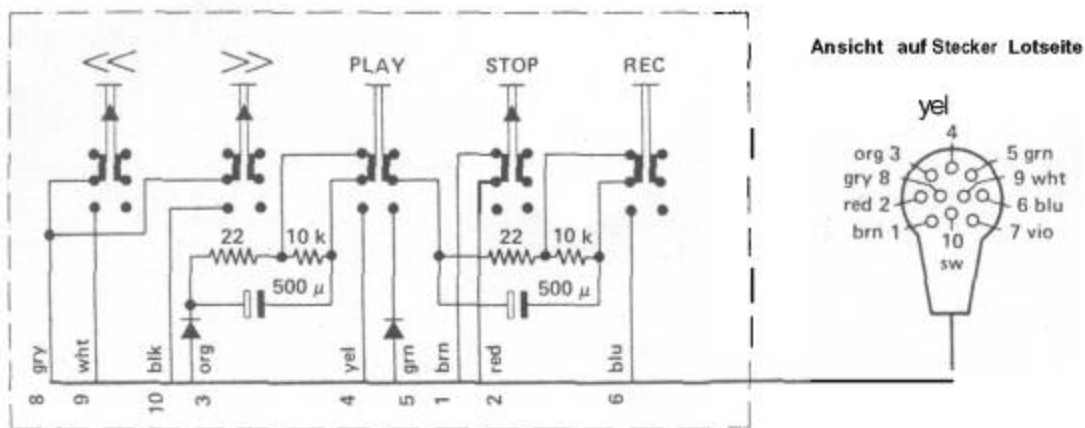


7.1. Remote Control

All push button functions can be accomplished by REMOTE CONTROL. The remote control cable needs no shielding and its length is not critical.

The remote control unit circuitry is per fig. 7.1—86.



REMOTE CONTROL PLUG HIRSCHMANN WIST 10)

Fig. 7.1—86

The 27 Vdc on terminal 7 is for use with slide projectors (load 150 mA maximum).

The dummy connector must be inserted for operation without the REMOTE CONTROL unit (this dummy connector shorts terminals 1 & 2)